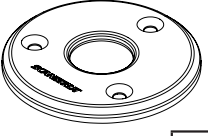
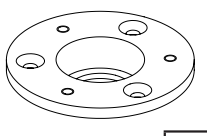

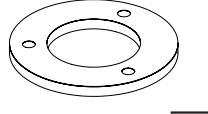




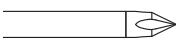
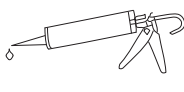
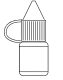


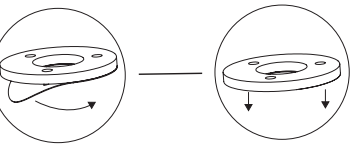
Parts List

		
Top x1	Base x1	Bungs x4
		
Gasket x1	No.4 x 19mm Screw x3	M3 x 5mm Countersunk Bolt x3

Tools Required

		
ø2.0mm (5/64") ø2.5mm (3/32") Drill Bit	ø25mm (1") Hole Saw/Drill Bit	Pozi Screwdriver
		
Silicone	Optional: Thread Lock	

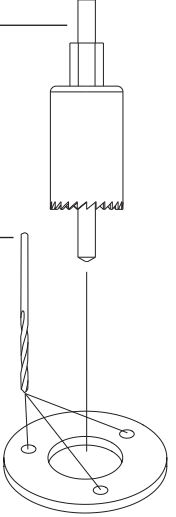
① 25mm (1")

② 

③

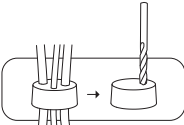
Suggested pilot holes

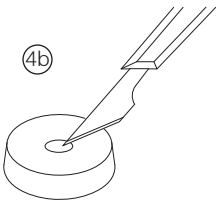
Material	Drill	Fixing
Soft Material e.g. plywood	2mm (5/65")	No.4 Screw (Included)
Hard Material e.g. fiberglass, hardwoods, acrylics	2.5mm (3/32")	
Metal e.g. Steel, aluminium	3mm (1/8")	<u>Recommended</u> >12mm x M3 Countersunk Bolt with washer and Nyloc (Not included)



④ Choose bung closest to cable ø.

DE - Wähle Dichtung nahe dem Kabel ø.
IT - Scegliere il passafili adatto al ø del cavo.
ES - Elija el tapón con el diámetro más parecido al cable.
FR - Choisissez le joint le plus proche du diamètre du câble.


④a 

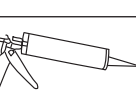
④b 


$\varnothing = \text{cable } \varnothing + 1.5\text{mm}$

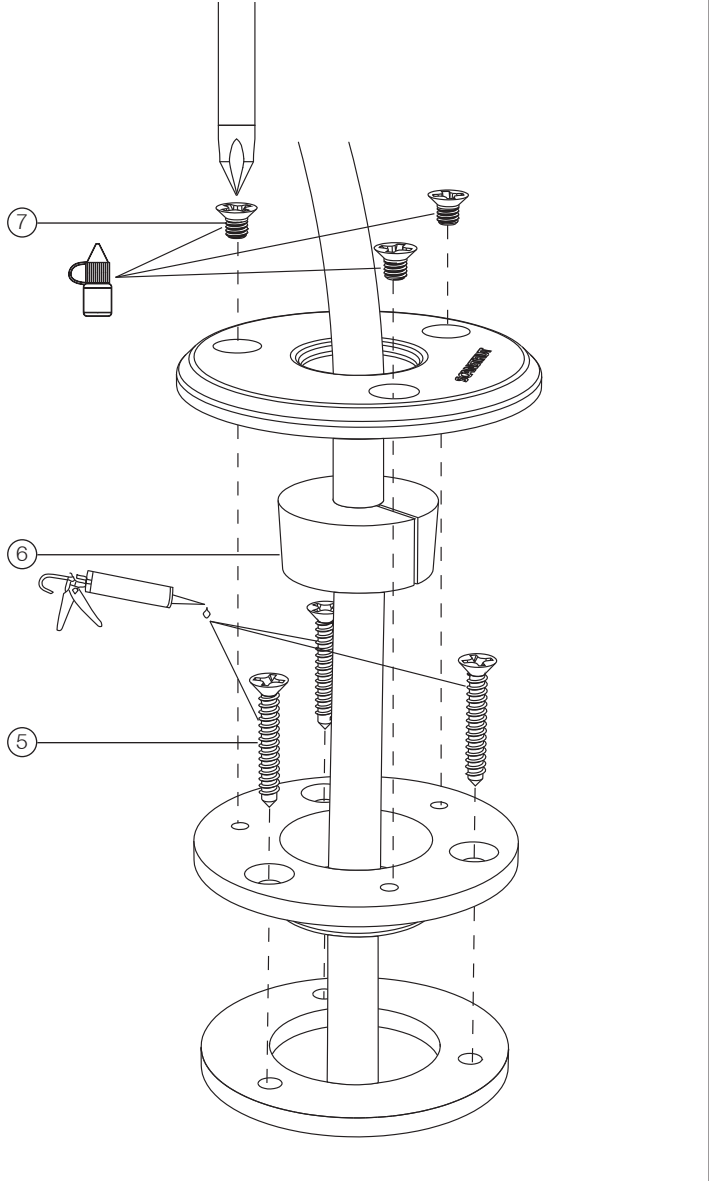
4mm (MIN)
(0.16")

ø MAX 8mm (0.31")
ø MIN 2mm (0.07")

⑦ 

⑥ 

⑤ 



UK & International
+44 (0)1392531280
sales@scanstrut.com

For further installation
and warranty information
please visit:
www.scanstrut.com

USA
+1 860 308 1416
usasales@scanstrut.com

SCANSTRUT