

RRC RADIO REMOTE CONTROL POCKET TRANSMITTER

P02+
P04+



ISTRUZIONI ORIGINALI
ORIGINAL INSTRUCTIONS

IT	Manuale d'uso	TRASMETTITORE TASCABILE RRC	Pag. 3
EN	User manual	RRC POCKET TRANSMITTER	Pag. 4
FR	Mode d'emploi	EMETTEUR DE POCHE RRC	Pag. 5
DE	Benutzerhandbuch	RRC TASCHEFUNKSENDER	Seit. 6
ES	Manual de uso	TRANSMISOR DE BOLSILLO RRC	Pág. 7
PT	Manual do usuário	TRANSMISSOR PORTÁTIL RRC	Pág. 8
SE	Bruksanvisning	RRC SÄNDARE I FICKFORMAT	Sid. 9
NL	Gebruikers handleiding	RRC POCKETZENDER	Pag. 10



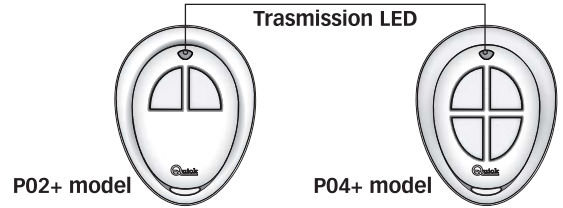
CHARACTERISTICS

The RRC pocket radio transmitter is a device which combined with a RRC radio receiver is used to control operation of devices or accessories installed on recreational crafts.

⚠ The RRC radio system is a generic radio control whose failed operation must not cause damage to people, animals or property.

The advantages offered by the RRC pocket radio transmitter are:

- Microcontroller-operated functions.
- Operating temperatures from -15°C to +60°C.
- FSK modulation and carrier frequency 869.8 MHz.
- Transmission feedback and low battery indication by means of LED.
- Possibility to control more receivers with one transmitter.
- Two functions can be activated at the same time.
- Floating.



BEFORE USING THE RADIO TRANSMITTER, CAREFULLY READ THIS USER MANUAL. IN CASE OF DOUBTS PLEASE CONTACT THE RETAILER OR QUICK® CUSTOMER SERVICE.

- ☞** In case of discordance or errors in translation between the translated version and the original text in the Italian language, reference will be made to the Italian or English text.
- ☞** This device was designed and constructed for use on recreational crafts. Other forms of use are not permitted without written authorization from the company Quick®.

The RRC pocket radio transmitter has been designed and manufactured for the purposes described in this user manual. Quick® is not liable for direct or indirect damages caused by an improper use of the radio control, due to an incorrect installation or errors possibly present in this manual.

THE PACKAGE CONTAINS: pocket radio transmitter with battery included - lanyard - conditions of warranty - user manual.

OPERATION

☞ The transmitter needs to be programmed in the receiver's memory. To do this, follow the procedure shown in the receiver's user manual.

Power supply

The pocket transmitter is powered using a lithium CR2450 battery. To replace it, see the BATTERY REPLACEMENT paragraph.

Operational status

When any of the transmitter keys is pressed, the green transmission LED flashes quickly and signals that transmission has taken place. It is possible to press up to two keys at the same time, while pressing 3 or more keys simultaneously cancels transmission (transmission LED switched off). Each key pressed corresponds to the activation of a relay on the receiver (see RRC radio receiver manual), which will stay active as long as the key isn't released.

Low battery signal

It is recommended to replace the battery within a short period of time if the transmission LED is red during operation. The residual autonomy time depends on the quality of the battery used.

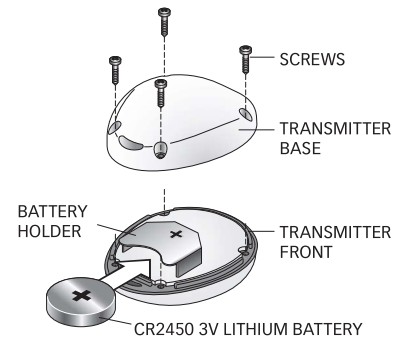
Battery replacement

- ⚠ WARNING:** danger of explosion if battery is replaced with an other of incorrect type.
- ⚠ WARNING:** before operating on the transmitter, make sure that the RRC radio receiver is not powered. Accidentally pressing a key may activate the corresponding device and create a dangerous situation.

- Remove the transmitter base by unscrewing the four screws using a Phillips screwdriver.
- Remove the battery from the battery holder sliding it outwards without using metal tools.
- Insert the new battery (of the type indicate in the technical characteristics) paying attention to polarity of the positive pole (+) as shown on the metal battery holder.
- Close the transmitter base, checking that it sits correctly in the gasket groove, located on the front of the transmitter, in order to restore the seal.
- Tighten the four screws.

⚠ WARNING: once the transmitter is assembled, verify that the LED does not remain on constantly. If the LED is on, reopen the transmitter and verify that it was assembled correctly.

At the end of its useful life, the battery contained in the product must be disposed of separately from other separated urban waste. Dispose of the battery in accordance with the provisions of local law.



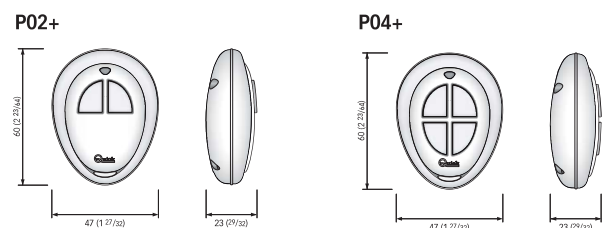
TECHNICAL DATA

MODELS	P02+	P04+
INPUT CHARACTERISTICS		
Power supply	CR2450 3V lithium battery	
Absorption during transmission	13 mA	
CHARACTERISTICS OF THE TRANSMITTER		
Number of keys	2	4
Carrier frequency	869.8 MHz	
Modulation	FSK	
Compliant with directive	2014/53/EU (RED)	
GENERAL		
Operating temperature	from -15°C to +60°C	
Weight (including the battery)	35 g	

MAINTENANCE

The RRC pocket radio transmitter does not require particular maintenance. Use a soft cloth moistened with water when cleaning it. Do not use chemical or abrasive products.

Dimensions mm (inches)



Quick® reserves the right to modify the technical characteristics of the equipment and the contents of this manual without prior notice.