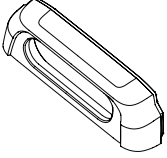
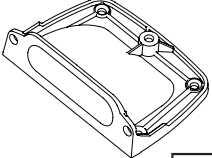
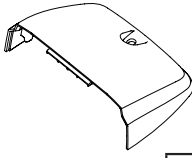
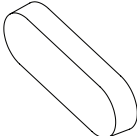
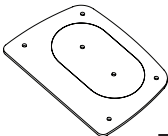

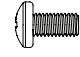
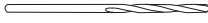
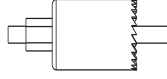
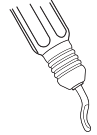


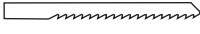


Parts List

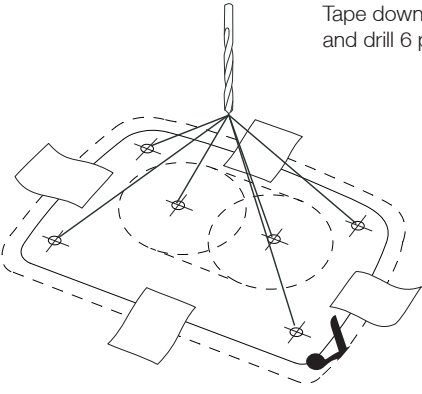
		
Front x1	Base x1	Cover x1
		
Bung x1	Gasket x1	No.6 x 19 Self Tapping x4
		
		M5 x 12 Pan Head Pozi x3

Tools Required

		
Ø2.5mm (3/32") Ø3mm (1/8") Ø4mm (5/32") Drill Bit	Ø44mm (1 1/4") Hole Saw/ Drill Bit	Deburrer (Recommended)
		
Pozi PZ2 Screwdriver	Silicone	Jig Saw

①

Tape down cutting template and drill 6 pilot holes.

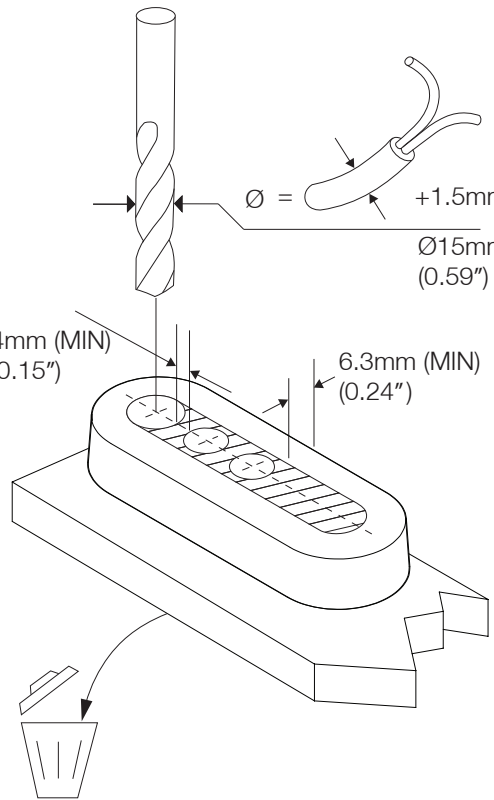


Material	Drill	Fixing
Soft Material e.g. plywood	2.5mm (3/32")	No.6 Screw (included)
Hard Material e.g. fiberglass, hardwoods, acrylics	3mm (1/8")	
Metal e.g. Steel, aluminium	4mm (5/32")	<u>Recommended</u> >12mm x M4 Countersunk Bolt with washer and Nyloc (Not included)

④

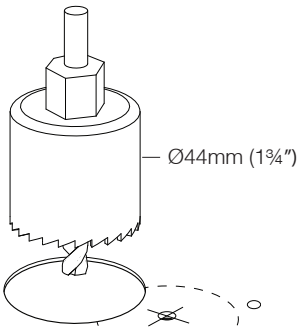
Tip : Drill on scrap material.
Freeze bung before drilling.

-18°C

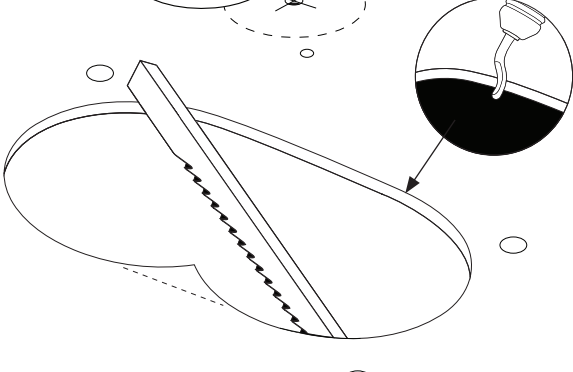


②

Ø44mm (1 1/4")



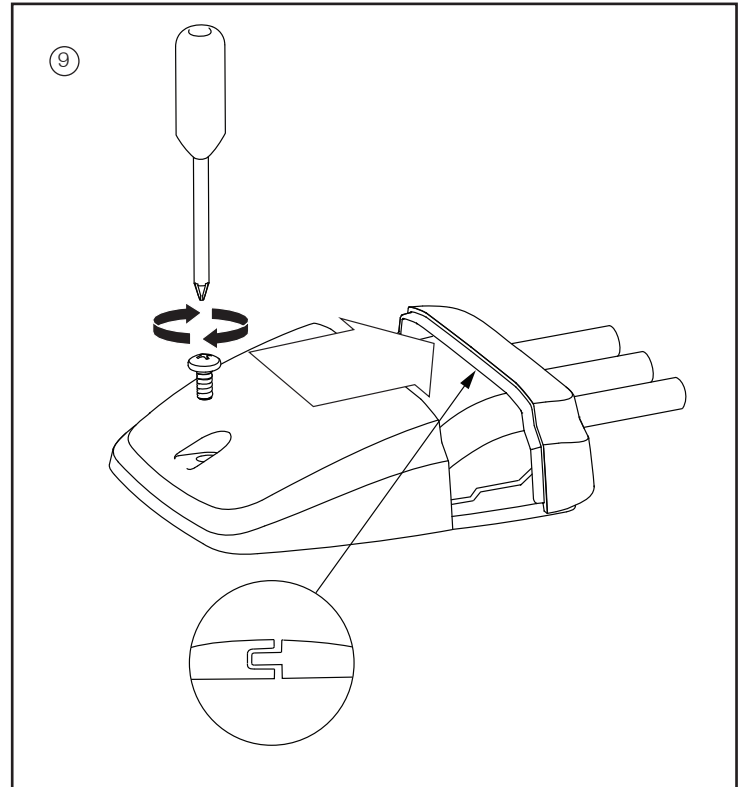
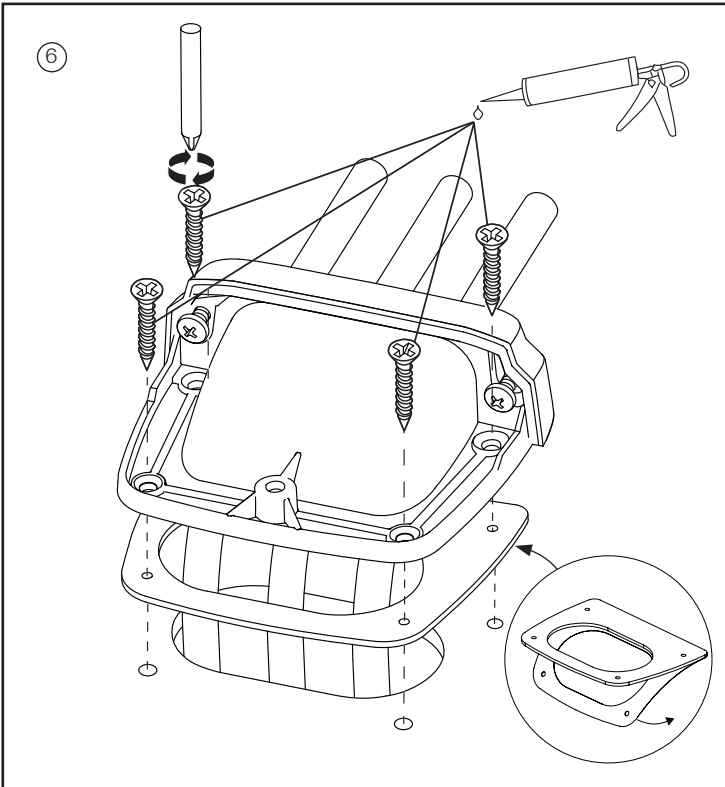
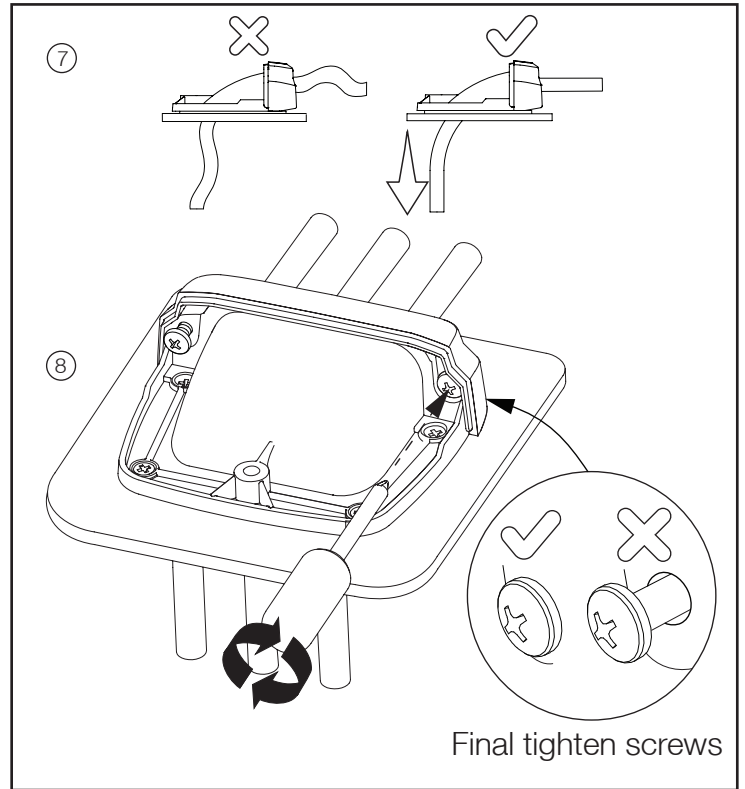
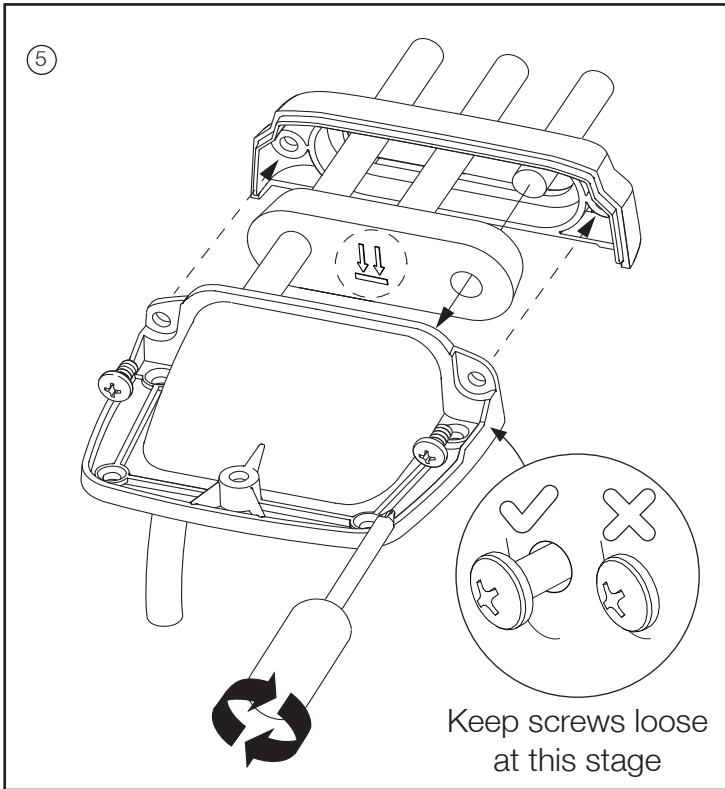
③



UK & International
+44 (0)1392531280
sales@scanstrut.com

For further installation
and warranty information
please visit:
www.scanstrut.com

USA
+1 860 308 1416
usasales@scanstrut.com



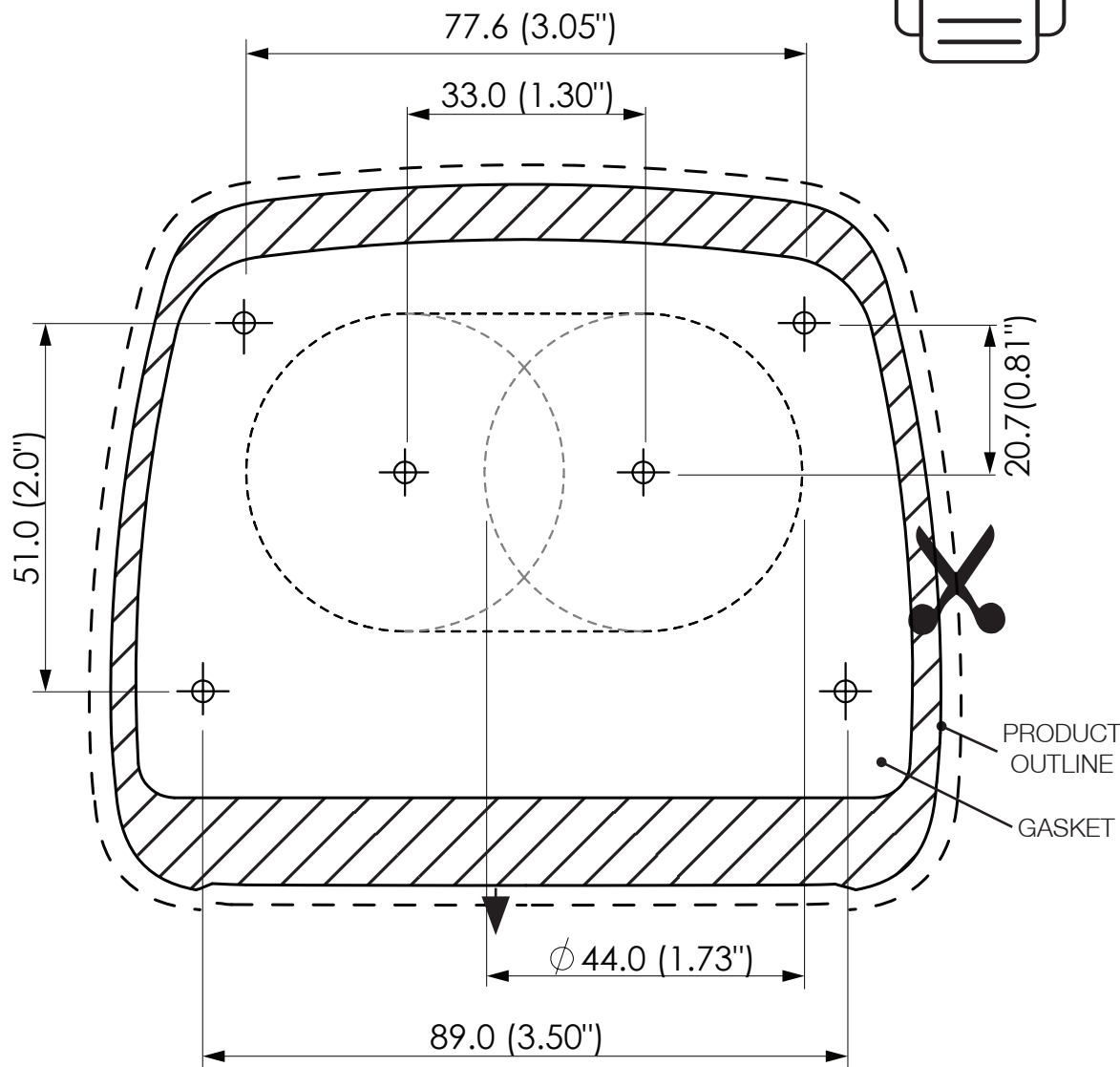
UK & International
+44 (0)1392531280
sales@scanstrut.com

For further installation
and warranty information
please visit:
www.scanstrut.com

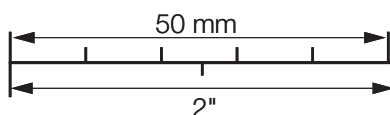
USA
+1 860 308 1416
usasales@scanstrut.com

Cutting Template

Print document 1:1 scale
for correct cutting template size.



Warning Check Scale



UK & International
+44 (0)1392531280
sales@scanstrut.com

For further installation
and warranty information
please visit:
www.scanstrut.com

USA
+1 860 308 1416
usasales@scanstrut.com

SCANSTRUT®